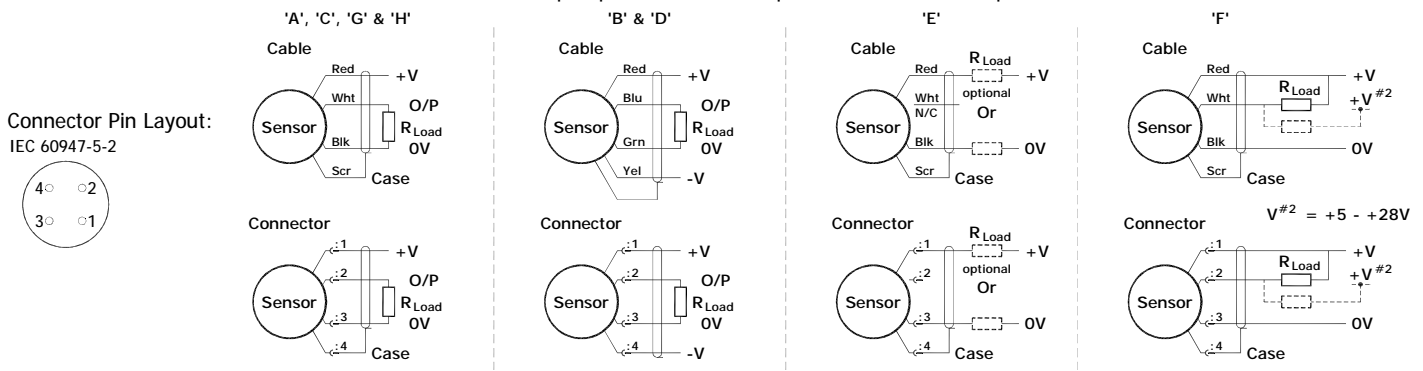


# Installation Information

## LIPS<sup>®</sup> P138 MID STROKE SLIM-LINE LINEAR POSITION SENSOR

Output Option	Output Description:	Supply Voltage: $V_s$ (tolerance)	Load resistance: (include leads for 4 to 20mA O/Ps)
A	0.5 - 4.5V (ratiometric with supply)	+5V (4.5 - 5.5V)	$\geq 5k\Omega$
C	0.5 - 9.5V	+24V nom. (13 - 28V)	$\geq 5k\Omega$
G	0.5 - 4.5V	+24V nom. (9 - 28V)	$\geq 5k\Omega$
H	4 - 20mA	+24V nom. (13 - 28V)	300R MAX

Not all output options available - see product datasheet for full options list



**Gain and Offset Adjustment:** Not available.

**Mechanical Mounting:** Flange mounted or by clamping the sensor body - body clamps are available, if not already ordered. The flange slots are 3.2 mm by 30 degrees wide on a 25 mm pitch.

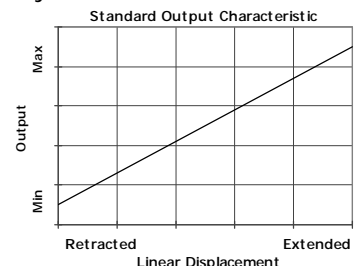
**Output Characteristic:** Plunger extended, at start of normal travel, from mounting face by:

Standard body : 36.5 mm

Flanged body : 34 mm

\*Note: where ball end option is fitted add 5 mm.

The output increases as the plunger extends from the sensor body, the calibrated stroke is between 51 mm and 100 mm.



**Incorrect Connection Protection levels:-**

- A **Not protected** – the sensor is not protected against either reverse polarity or over-voltage. The risk of damage should be minimal where the supply current is limited to less than 50mA.
- C & G Supply leads diode protected. Output must not be taken outside 0 to 12V.
- H Supply and output lead diode protected. Do take output negative of 0 volts.