

N.b. ROD-EYE ORIENTATION NOT GUARANTEED.
CONNECTORS; MICRO MINI WETMATE, 4-POLE.
BULKHEAD; MCBH-4-MP-SS, STAINLESS STEEL/MOLDED NEOPRENE, SEALING; 340 BAR OPEN FACE, 600 BAR MATED.
IN-LINE; MCIL-4-FS, MOLDED NEOPRENE WITH CABLE. LOCKING SLEEVE; MCDLS-F, DELRIN.

ELECTRICAL OPTIONS/ SPECIFICATIONS

OUTPUT SUPPLY
0.5 TO 4.5V RATIO METRIC 5V
SUPPLY CURRENT 12mA TYP. 20mA MAX.

MATING CONNECTOR (CODE 'J50' OR 'K50') SUPPLIED WITH 50cm MOULDED CABLE AS STANDARD.
4-CORE SCREENED: 0.5mm², Ø7.5mm MAX. JACKET AND CORE INSULATION: EPDM.

CONNECTIONS:-

- | | | |
|---|--------|-------------------------|
| 1 | BLACK | OUTPUT |
| 2 | WHITE | 0V |
| 3 | RED | BODY |
| 4 | GREEN | +Ve |
| | SCREEN | NOT CONNECTED TO SENSOR |

RANGE OF DISPLACEMENT FROM 0-5mm TO 0-800mm e.g.76mm, IN INCREMENTS OF 1mm.

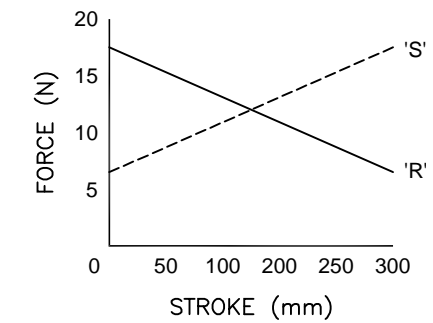
BODY MATERIAL: STAINLESS STEEL 316.

FURTHER OPTIONS:

- SINGLE PAIR OF BODY CLAMPS 'P'
- TWO PAIRS OF BODY CLAMPS 'P2'


- SPRING RETURN PUSH-ROD, TRAVEL ≤300mm
- RETURN TO EXTENDED POSITION (CODE R)
- RETURN TO RETRACTED POSITION (CODE S)

PUSH-ROD FREE (CODE 'V') - NOT AVAILABLE WITH SPRUNG OPTIONS.



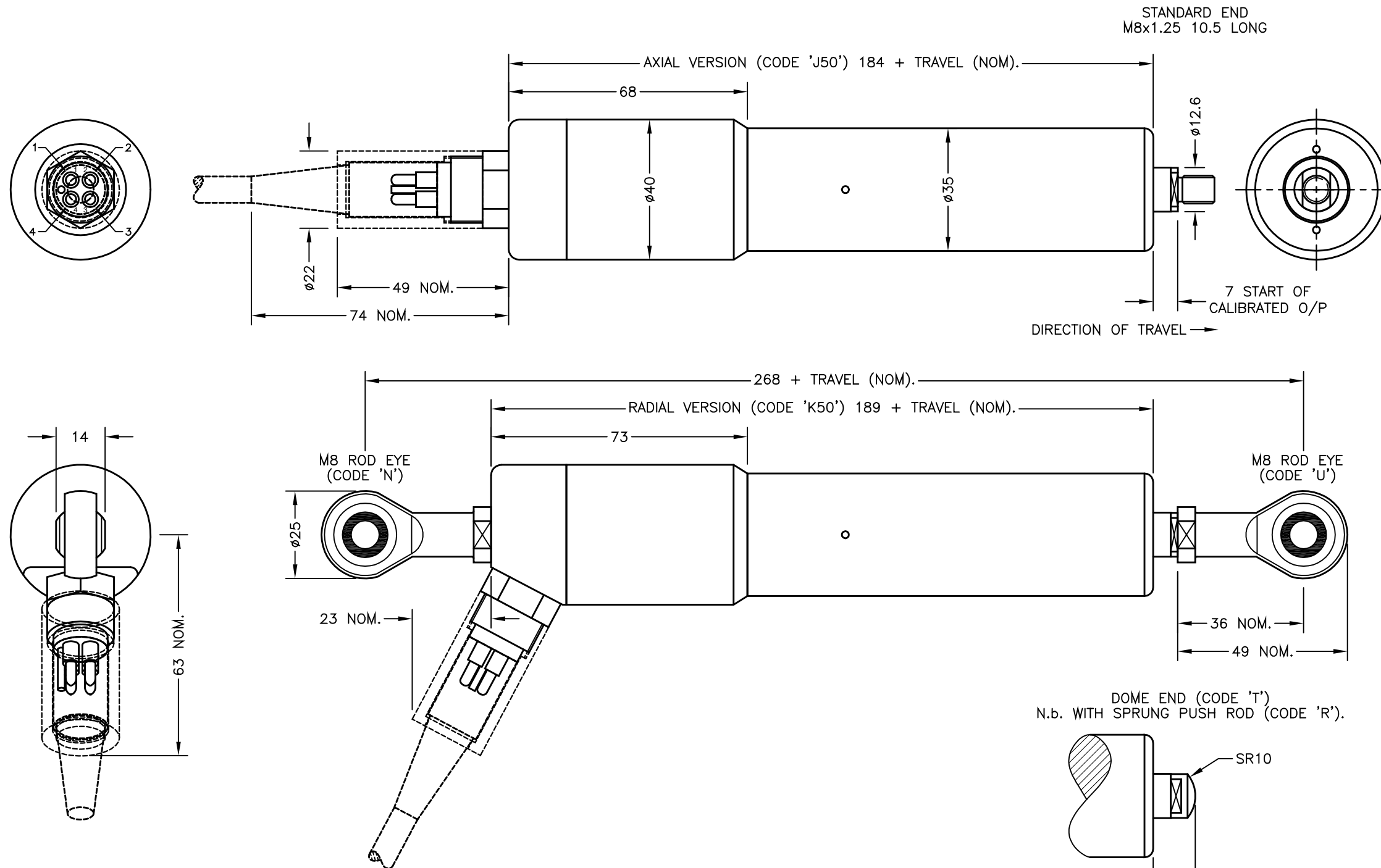
SPRING FORCE v STROKE (CODE 'R' OR 'S')

NOTE:- READ INSTALLATION SHEET X125-19 FOR FULL INSTRUCTIONS FOR USE.

ATEX / IECEx APPROVED TO
 II 1G
Ex ia IIC T4 Ga (Ta= -40° to +80°C)
Ui 11.4V, Ii 0.2A, Pi 0.51W

APPROVED FOR USE IN CONJUNCTION WITH A GALVANICALLY ISOLATED BARRIER.

NOTE: APPROVAL ONLY APPLIES AT NORMAL ATMOSPHERIC PRESSURE!



MAXIMUM WORKING DEPTH: 3500 METRES 350 BAR. WHERE THE FREE END OF THE CABLE IS TO BE TERMINATED IN A SUBMERGED POSITION, ADEQUATE SEALING MUST BE PROVIDED TO PROTECT CONNECTIONS.

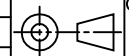
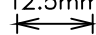
THE PUSH-ROD RETRACTS A FURTHER 4mm NOM. FROM START OF CALIBRATED TRAVEL. STANDARD VERSIONS THE PUSH-ROD EXTENDS A FURTHER 8mm NOM. FROM END OF CALIBRATED TRAVEL, FOR SPRUNG VERSIONS: 'R': 1mm, 'S': 2mm. 'V' CODED PUSH-ROD WILL DEPART SENSOR BODY.

B	OMITTED OPTIONS ADDED.	PDM
C	"7 START OF..." WAS "7.00 START OF...".	PDM
D	MALE M8 WAS FEMALE RAN1180	RDS
E	CABLE COLOURS CORECTED - RAN1190	PDM
F	3500 METERS WAS 3482 RAN1145	RDS
G	RANGE NOTE AMENDED ~ RAN1200	PDM



DRAWINGS NOT TO BE CHANGED WITHOUT REFERENCE TO THE CHANGE PROCEDURE. CHANGES TO PARTS USED IN INTRINSICALLY SAFE PRODUCT MUST BE APPROVED BY THE AUTHORISED PERSON
THIS IS AN UNCONTROLLED PRINT AND WILL NOT BE UPDATED.



B	08/01/16		CHECKED BY	X	±0.4
C	21/10/16		RDS	X.X	±0.2
D	25/4/17			X.XX	±0.1
					DIMS mm
E	14/06/17	DESCRIPTION			
F	15/06/17	INTRINSICALLY SAFE 350 BAR			
G	12/09/17	SUBMERSIBLE STAND-ALONE			
					LINEAR POSITION SENSOR
SCALE		DRAWING NUMBER			
12.5mm		X125-11			
		REV		G	
					SHEET 1 OF 1