

N.b. ROD-EYE ORIENTATION NOT GUARANTEED.

ELECTRICAL OPTIONS/ SPECIFICATIONS

OUTPUT SUPPLY
 0.5 TO 4.5V RATIO METRIC 5V
 SUPPLY CURRENT 12mA TYP. 20mA MAX.

CABLE: 0.2mm², 0/A SCREEN, PUR JACKET – SUPPLIED WITH 50cm OR REQUIRED LENGTH IN cm (15000cm MAX).
 STANDARD 3-CORE: JACKET ϕ 4mm BLACK e.g. 'L50'
 OPTIONAL 5-CORE: JACKET ϕ 4.6mm BLUE e.g. 'LQ50'

CABLE/CONNECTOR* CONNECTIONS;
 3 CORE 5 CORE CONNECTOR
 RED RED :1 +Ve
 - ORG :1 +SENSE (5-WIRE ONLY)
 BLACK BLACK :3 0V
 - GRY :3 -SENSE (5-WIRE ONLY)
 WHITE WHITE :2 OUTPUT
 SCREEN SCREEN :4 BODY

*CONNECTORS; MAXIMUM CONDUCTOR CROSS SECTION 0.75mm²
 RANGE OF DISPLACEMENT FROM 0–5mm TO 0–350mm e.g.76, IN INCREMENTS OF 1mm.

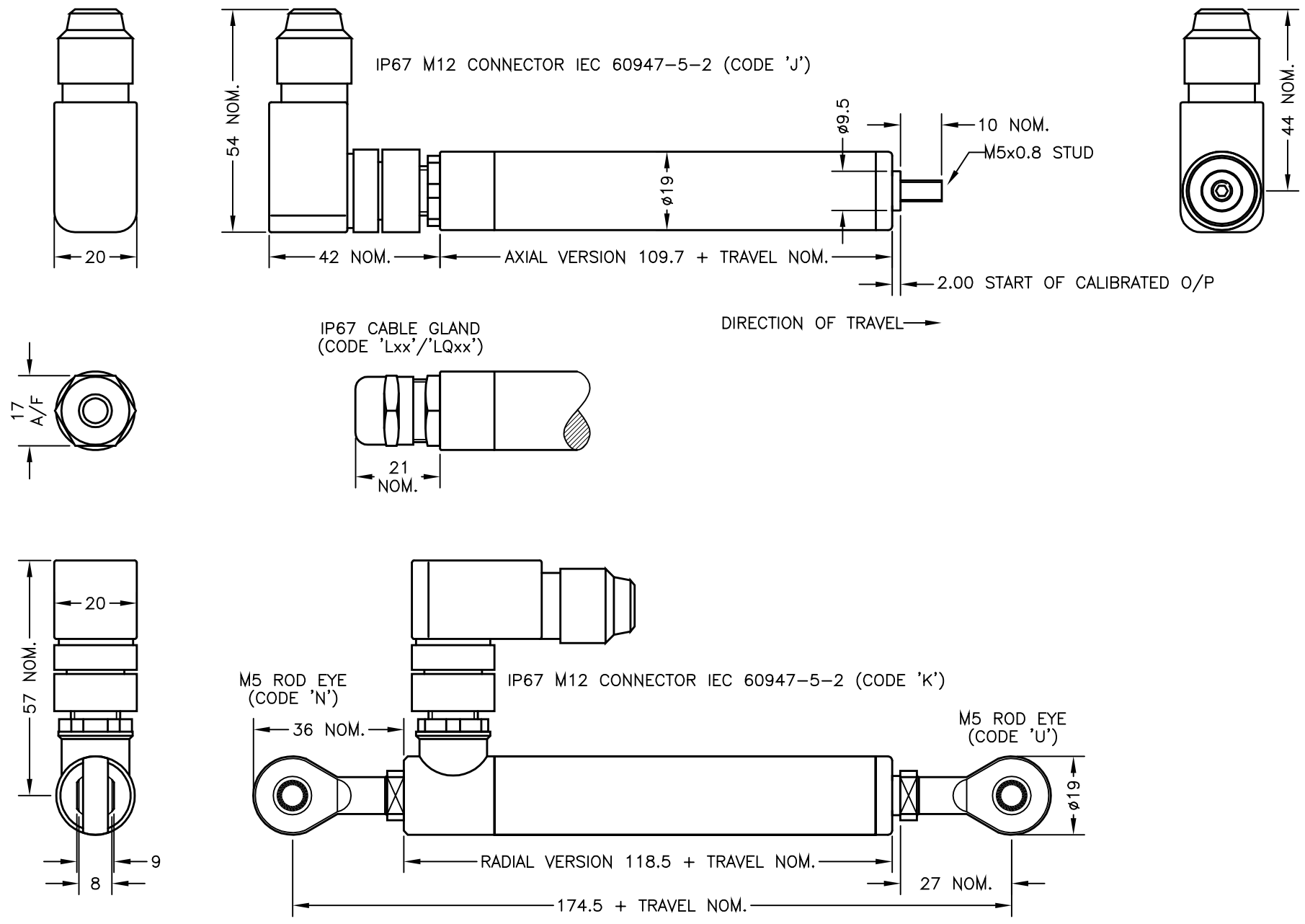
BODY MATERIAL: STAINLESS STEEL.

FURTHER OPTIONS:

SINGLE PAIR OF BODY CLAMPS 'P'

TWO PAIRS OF BODY CLAMPS 'P2'

PUSH-ROD FREE (CODE 'V')



NOTE:- READ INSTALLATION SHEET H000-19 FOR FULL INSTRUCTIONS FOR USE.

CSA APPROVED TO
 Class I Zone 0
 Ex/AEx ia IIC T4 (Ta= -40 to 80°C)
 Ex iaD 20 T93°C(Ta= -40 to 80°C)
 Ui 11.4V, Ii 0.2A, Pi 0.51W

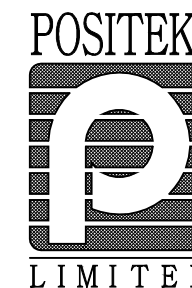
APPROVED FOR USE IN CONJUNCTION WITH A GALVANICALLY ISOLATED BARRIER.

NOTE: APPROVAL ONLY APPLIES AT NORMAL ATMOSPHERIC PRESSURE!

A	FIRST ISSUE	PDM
B	BODY CLAMP OPTIONS ADDED - RAN505.	PDM
C	RANGE WAS 10-350mm RAN1056	RDS
D	PUSH-ROD DIA. ADDED ~ RAN1083	PDM
E	5-CORE OPTION ADDED ~ RAN1102	PDM
F	RANGE NOTE AMENDED ~ RAN1200	PDM

CE THE PUSH-ROD RETRACTS AND EXTENDS 2mm NOM. AT EITHER END OF CALIBRATED TRAVEL. 'V' CODED PUSH-ROD WILL DEPART SENSOR BODY.

DRAWINGS NOT TO BE CHANGED WITHOUT REFERENCE TO THE CHANGE PROCEDURE. CHANGES TO PARTS USED IN INTRINSICALLY SAFE PRODUCT MUST BE APPROVED BY THE AUTHORISED PERSON
 THIS IS AN UNCONTROLLED PRINT AND WILL NOT BE UPDATED.



A	18/03/13		CHECKED BY	X	±0.4
B	25/07/14		RDS	X.X	±0.2
C	9/11/15			X.XX	±0.1
D	13/04/16	DESCRIPTION			
E	26/04/17	H117 INTRINSICALLY SAFE			
F	06/09/17	SLIM-LINE LINEAR POSITION SENSOR			
SCALE		DRAWING NUMBER		REV	
12.5mm		H117-11		F	
		SHEET		1 OF 1	