

N.b. ROD-EYE ORIENTATION NOT GUARANTEED.  
 CONNECTORS; MICRO MINI WETMATE, 4-POLE.  
 BULKHEAD; MCBH-4-MP-SS, STAINLESS STEEL/MOLDED NEOPRENE, SEALING; 340 BAR OPEN FACE, 600 BAR MATED.  
 IN-LINE; MCIL-4-FS, MOLDED NEOPRENE WITH CABLE. LOCKING SLEEVE; MCDLS-F, DELRIN.

**ELECTRICAL OPTIONS/ SPECIFICATIONS**

**OUTPUT SUPPLY**  
 0.5 TO 4.5V RATIOMETRIC 5V  
 SUPPLY CURRENT 12mA TYP. 20mA MAX.  
 MATING CONNECTOR (CODE 'J50' OR 'K50') SUPPLIED WITH  
 50cm MOULDED CABLE AS STANDARD.  
 4-CORE SCREENED: 0.5mm<sup>2</sup>, Ø7.5mm MAX. JACKET AND  
 CORE INSULATION: EPDM.

**CONNECTIONS:-**  
 1 WHITE OUTPUT  
 2 BLACK 0V  
 3 GREEN BODY  
 4 RED +Ve  
 SCREEN NOT CONNECTED TO SENSOR

RANGE OF DISPLACEMENT FROM 5mm TO 800mm,  
 IN INCREMENTS OF 1mm.


BODY MATERIAL: STAINLESS STEEL 316.

FURTHER OPTIONS:

SINGLE PAIR OF BODY CLAMPS 'P'  
 TWO PAIRS OF BODY CLAMPS 'P2'

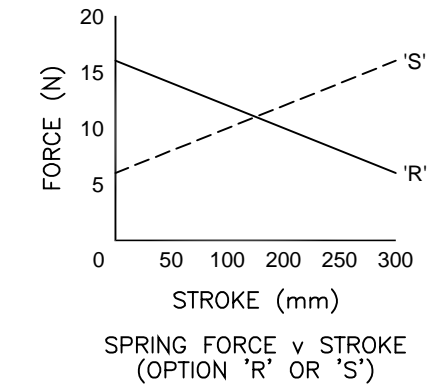
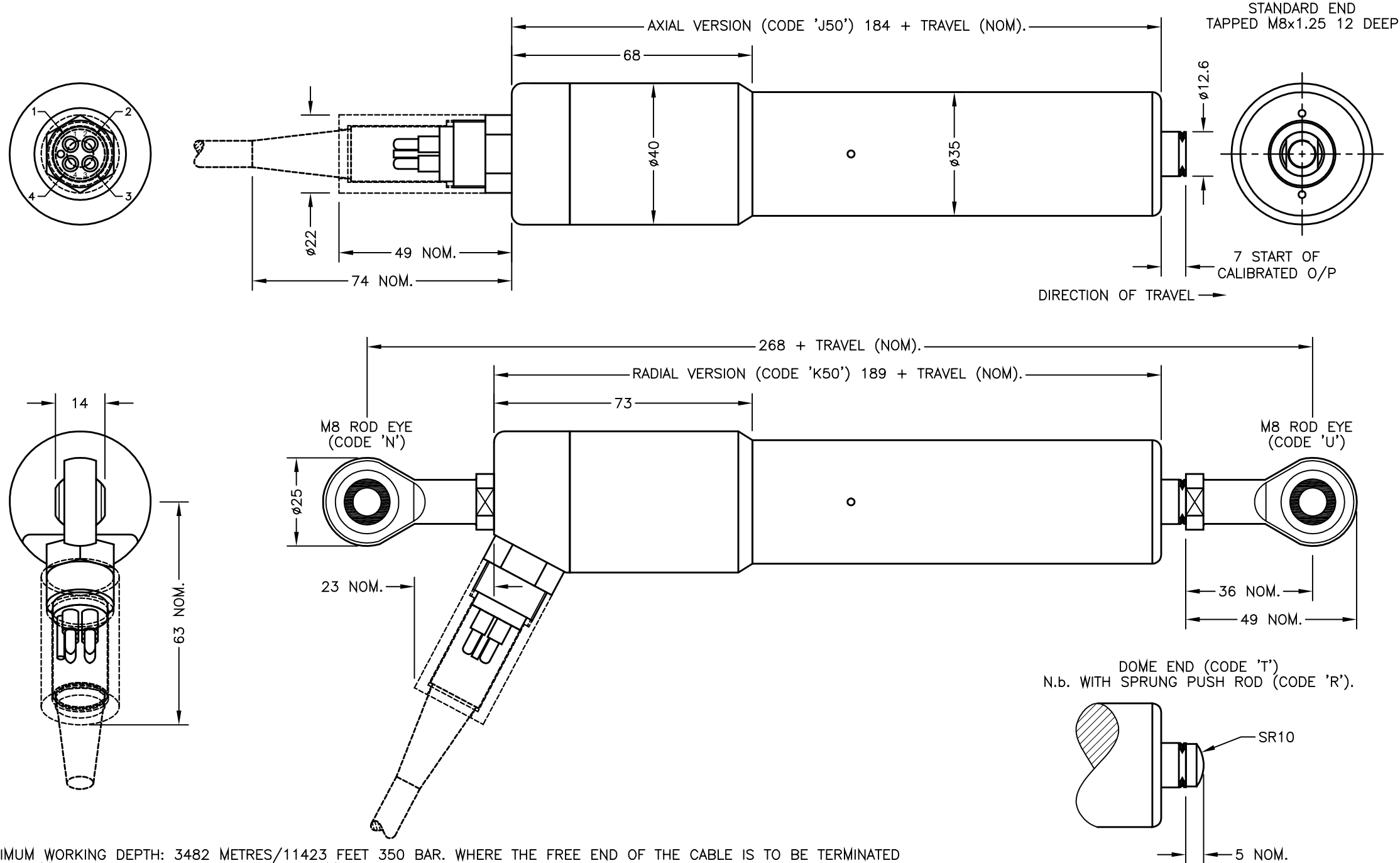
SPRING RETURN PUSH-ROD, TRAVEL ≤300mm  
 RETURN TO EXTENDED POSITION (CODE R)  
 RETURN TO RETRACTED POSITION (CODE S)  
 PUSH-ROD FREE (CODE 'V') - NOT AVAILABLE WITH  
 SPRUNG OPTIONS.

NOTE:- READ INSTALLATION SHEET E125-19  
 FOR FULL INSTRUCTIONS FOR USE.

ATEX / IECEx APPROVED TO  
 II 1GD  
 Ex ia IIC T4 Ga (Ta= -40° to +80°C)  
 Ex ia IIIC T135°C Da (Ta= -40° to +80°C)  
 Ui 11.4V, Ii 0.2A, Pi 0.51W

APPROVED FOR USE IN CONJUNCTION  
 WITH A GALVANICALLY ISOLATED BARRIER.

NOTE: APPROVAL ONLY APPLIES AT NORMAL  
 ATMOSPHERIC PRESSURE!



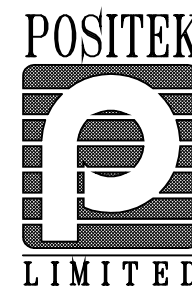
MAXIMUM WORKING DEPTH: 3482 METRES/11423 FEET 350 BAR. WHERE THE FREE END OF THE CABLE IS TO BE TERMINATED  
 IN A SUBMERGED POSITION, ADEQUATE SEALING MUST BE PROVIDED TO PROTECT CONNECTIONS.

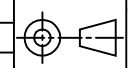
THE PUSH-ROD RETRACTS A FURTHER 4mm NOM. FROM START OF CALIBRATED TRAVEL. STANDARD VERSIONS THE PUSH-ROD  
 EXTENDS A FURTHER 8mm NOM. FROM END OF CALIBRATED TRAVEL, FOR SPRUNG VERSIONS: 'R': 1mm, 'S': 2mm.

'V' CODED PUSH-ROD WILL DEPART SENSOR BODY.

A	FIRST ISSUE	RDS
B	OMITTED OPTIONS ADDED.	PDM
C	"7 START OF..." WAS "7.00 START OF..."	PDM

DRAWINGS NOT TO BE CHANGED WITHOUT REFERENCE TO THE CHANGE PROCEDURE.  
 CHANGES TO PARTS USED IN INTRINSICALLY SAFE PRODUCT MUST BE APPROVED  
 BY THE AUTHORISED PERSON  
 THIS IS AN UNCONTROLLED PRINT AND WILL NOT BE UPDATED.



A	24/09/15		CHECKED BY	X	±0.4
B	08/01/16		PDM	X.X	±0.2
C	21/10/16			X.XX	±0.1
					DIMS mm
			DESCRIPTION	INTRINSICALLY SAFE 350 BAR SUBMERSIBLE STAND-ALONE LINEAR POSITION SENSOR	
			SCALE	DRAWING NUMBER	REV
			12.5mm	E125-11	C
					SHEET 1 OF 1